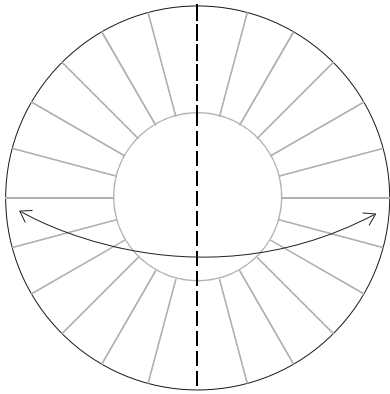
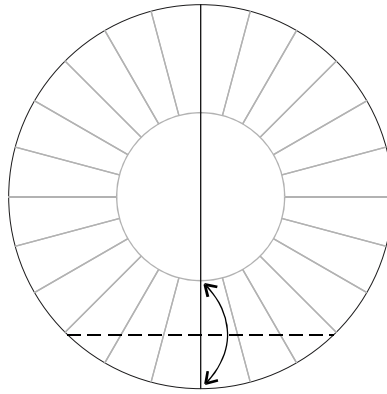


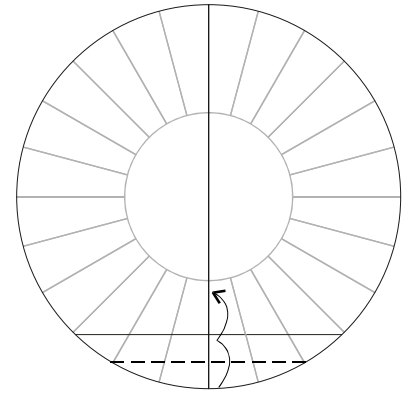
# Grad School Coffee Filter



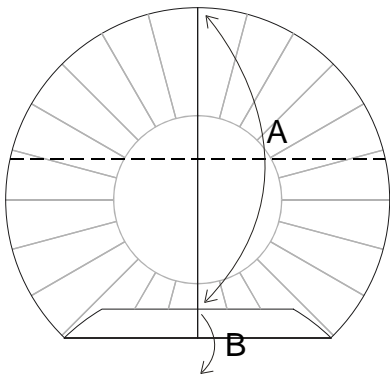
Place two basket style filters on top of each other. Valley fold down center line and return.



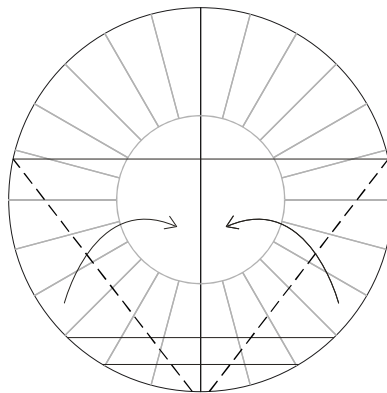
Valley fold the bottom edge to the interior circle crease and return.



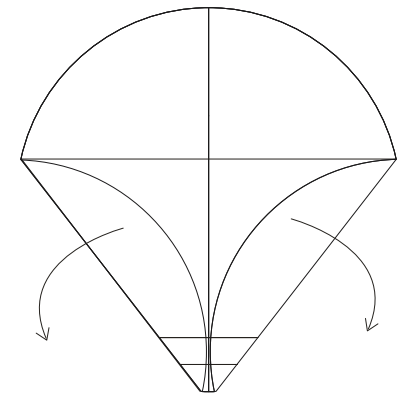
Valley fold bottom edge to the crease just made and valley fold up again.



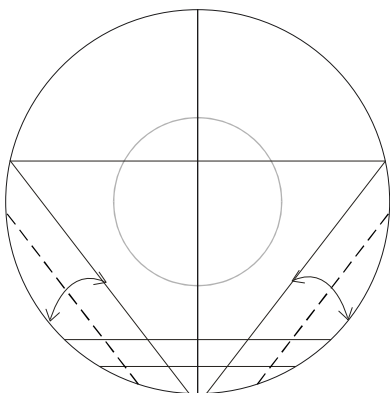
Valley fold the top down to the top of the folded edge and return. Roll down the bottom edge. Flip over.



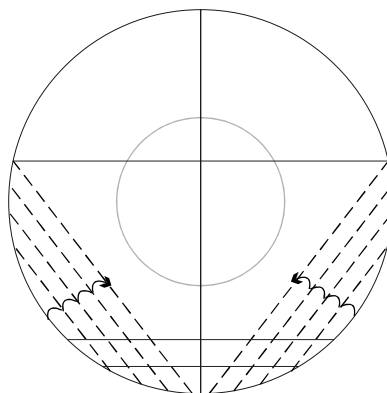
Using the creases as landmarks, valley fold in the side edges to the center line.



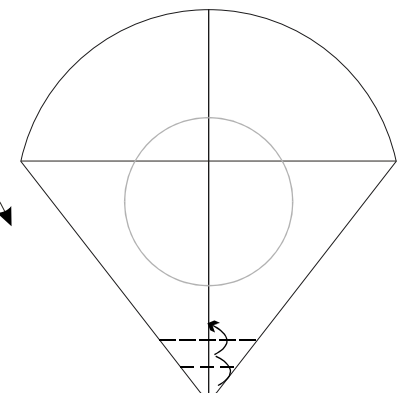
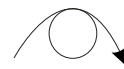
And return.



Valley fold in parallel to the creases just made and return.



Valley fold in parallel again, rolling it up as you go. Flip the model over.



Roll up along the creases formed earlier. Open up the model and brew away!

© Copyleft 2005  
Philip Chapman-Bell  
Some rights reserved,  
Others, not so much.